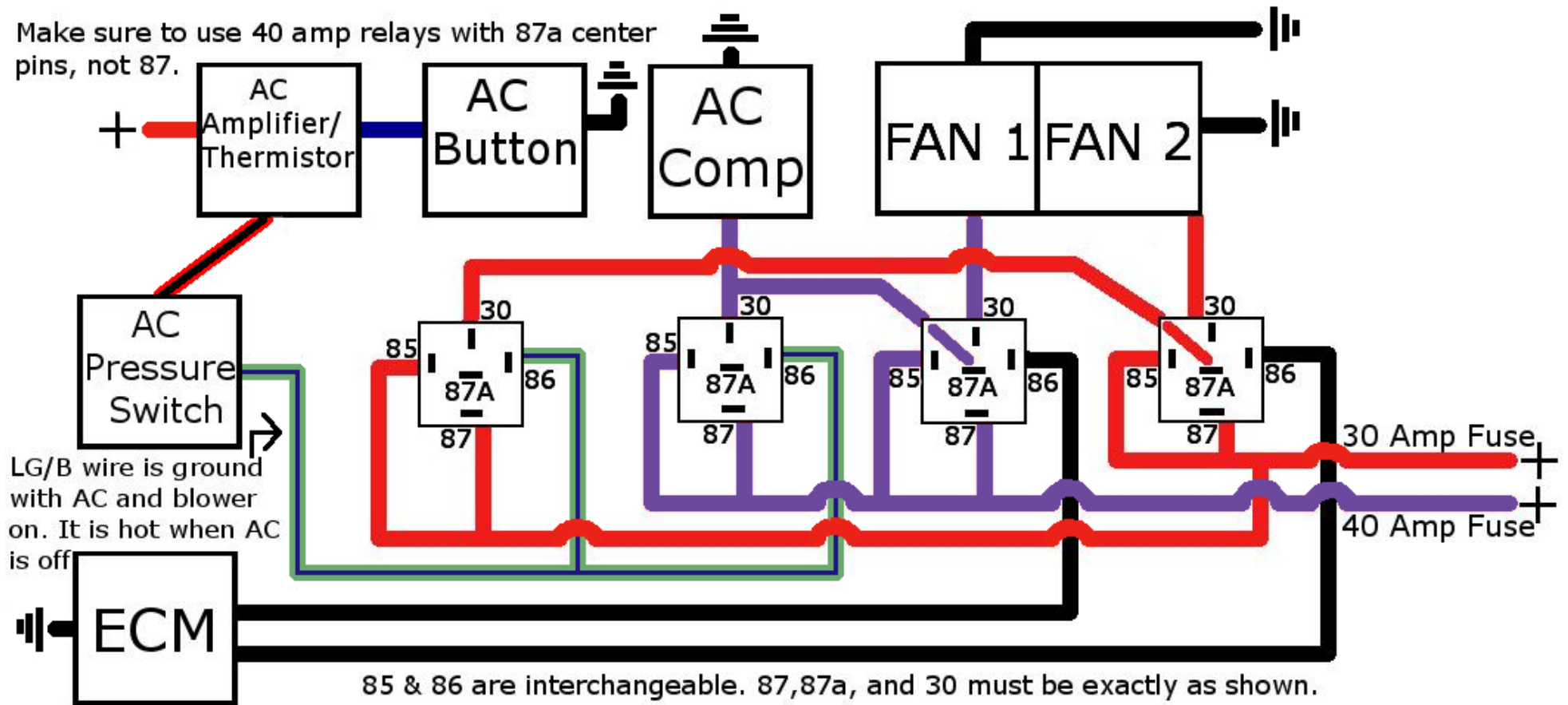


Make sure to use 40 amp relays with 87a center pins, not 87.



LG/B wire is ground with AC and blower on. It is hot when AC is off